

CHAIN SYSTEMS Ø 40, 45, 60

DRIVE UNITS

Drive units model AN with direct transmission



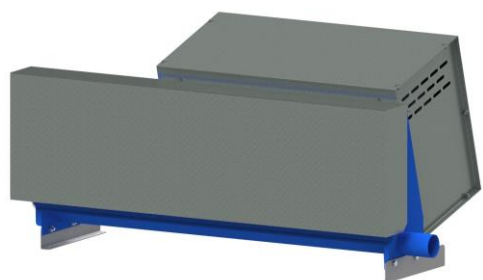
Code	GALVANIZED SHEET METAL VERSIONS
401124	Drive unit AN401 HP1
401125	Drive unit AN401 HP1,5
451124	Drive unit AN451 HP1
451125	Drive unit AN451 HP1,5
452064	Drive unit AN451 HP2
601124	Drive unit AN601 HP1
601125	Drive unit AN601 HP1,5
601105	Drive unit AN601 HP2
601105PA	Drive unit AN601 HP2 aluminum drive wheel
STAINLESS STEEL VERSIONS	
401544	Drive unit AN401 HP1 SST
401545	Drive unit AN401 HP1,5 SST
451544	Drive unit AN451 HP1 SST
451545	Drive unit AN451 HP1,5 SST
451559	Drive unit AN451 HP2 SST
601544	Drive unit AN601 HP1 SST
601545	Drive unit AN601 HP1,5 SST
601559	Drive unit AN601 HP2 SST
601559PA	Drive unit AN601 HP2 SST aluminum drive wheel

Drive units model AN with belt transmission



Code	GALVANIZED SHEET METAL VERSIONS
401540	Drive unit AN401 HP1 B3
401541	Drive unit AN401 HP1,5 B3
451540	Drive unit AN451 HP1 B3
451541	Drive unit AN451 HP1,5 B3
601540	Drive unit AN601 HP1 B3
601541	Drive unit AN601 HP1,5 B3
601106	Drive unit AN601 HP2 B3
STAINLESS STEEL VERSIONS	
401546	Drive unit AN401 HP1 B3 SST
401547	Drive unit AN401 HP1,5 B3 SST
451546	Drive unit AN451 HP1 B3 SST
451547	Drive unit AN451 HP1,5 B3 SST
601546	Drive unit AN601 HP1 B3 SST
601547	Drive unit AN601 HP1,5 B3 SST
601570	Drive unit AN601 HP2 B3 SST

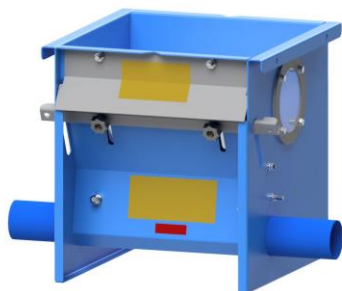
Covers for drive units



Code	MOTOR COVER
001121	Motor cover AN
001122	Motor cover AN SST
005310	Motor cover AN60
FRONT COVER	
006957	Front cover AN60 SST

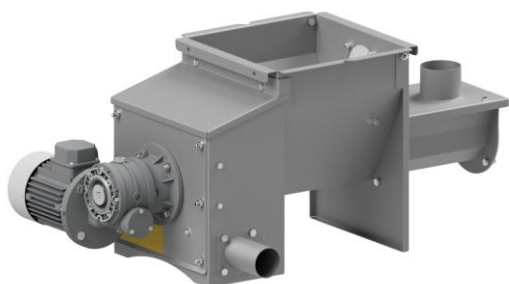
HOPPERS

Hoppers model AN



Code	ONE-WAY HOPPERS
401128	One-way hopper AN40
401550	One-way hopper AN40 SST
451128	One-way hopper AN45
451550	One-way hopper AN45 SST
601128	One-way hopper AN60
601550	One-way hopper AN60 SST
TWO-WAYS HOPPERS	
401102	Two-ways hopper 2AN40
401551	Two-ways hopper 2AN40 SST
451102	Two-ways hopper 2AN45
451551	Two-ways hopper 2AN45 SST
601102	Two-ways hopper 2AN60
601551	Two-ways hopper 2AN60 SST
THREE-WAYS HOPPERS	
601123	Three-ways hopper 3AN60
601256	Three-ways hopper 3AN60 SST

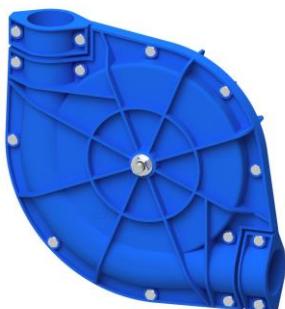
Hoppers with extractor



Code	HOPPERS WITH EXTRACTOR
451775	Hopper AN45 with extractor SST
601775	Hopper AN60 with extractor SST
HOPPERS WITH EXTRACTOR W/RECYCLE	
452247	Hopper AN45 with extractor and recycle SST
602247	Hopper AN60 with extractor and recycle SST
HOPPERS WITH MOTORIZED EXTRACTOR	
451679	Motorized hopper AN45 SST
601679	Motorized hopper AN60 SST
HOPPERS WITH MOTORIZED EXTRACTOR W/RECYCLE	
452248	Motorized hopper AN45 with recycle SST
602248	Motorized hopper AN60 with recycle SST

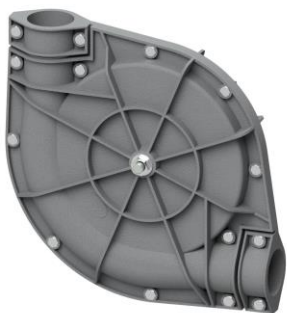
CORNERS

Corners with plastic housing



Code	90° CORNES
401174	90° corner P40/50
451174	90° corner P45/50
601174	90° corner P60/70
90° CORNES WITH SST SCREWS	
401377	90° corner P40/50/VI
451377	90° corner P45/50/VI
601377	90° corner P60/70/VI

Corners with aluminum housing



Code	90° WITH INTERNAL BUSHES
601173	90° corner A 60/70

Code	135° WITH EXTERNAL BEARINGS
602078	135° corner A 60/70CDE15

Code	135° WITH INTERNAL BUSHES
601591	135° corner A 60/70

Code	360° WITH EXTERNAL BEARINGS
602079	360° corner A 60/70CDE15

Code	360° WITH INTERNAL BUSHES
601592	360° corner A 60/70

PIPELINES

Feeding pipes



Code	GALVANIZED SHEET METAL VERSIONS
401161	Feeding pipe Ø 40

451161	Feeding pipe Ø 45
--------	-------------------

601161	Feeding pipe Ø 60
--------	-------------------

Code	STAINLESS STEEL VERSIONS
401162	Feeding pipe Ø 40 SST

451162	Feeding pipe Ø 45 SST
--------	-----------------------

601162	Feeding pipe Ø 60 SST
--------	-----------------------

Control segments



Code	GALVANIZED SHEET METAL VERSIONS
401184	Control segment Ø 40

451184	Control segment Ø 45
--------	----------------------

601184	Control segment Ø 60
--------	----------------------

Code	STAINLESS STEEL VERSIONS
401185	Control segment Ø 40 SST

451185	Control segment Ø 45 SST
--------	--------------------------

601185	Control segment Ø 60 SST
--------	--------------------------

Couplers for feeding pipes



Code	GALVANIZED SHEET METAL VERSIONS
401159	Couplers for feeding pipes Ø 40

451159	Couplers for feeding pipes Ø 45
--------	---------------------------------

601159	Couplers for feeding pipes Ø 60
--------	---------------------------------

Code	STAINLESS STEEL VERSIONS
401521	Couplers for feeding pipes Ø 40 SST

451521	Couplers for feeding pipes Ø 45 SST
--------	-------------------------------------

601521	Couplers for feeding pipes Ø 60 SST
--------	-------------------------------------

Couplers for feeding pipes with screws



Code	GALVANIZED SHEET METAL VERSIONS
401375	Couplers for feeding pipes S40
451375	Couplers for feeding pipes S45
601375	Couplers for feeding pipes S60
STAINLESS STEEL VERSIONS	
401158	Couplers for feeding pipes S40 SST
451158	Couplers for feeding pipes S45 SST
601158	Couplers for feeding pipes S60 SST

CHAIN CONVEYORS

Chain conveyors



Code	CHAIN CONVEYORS
401164B4	Chain conveyor 40/50 strong
401164SOFT	Chain conveyor 40/50C soft
451164B4	Chain conveyor 45/50 strong
451164SOFT	Chain conveyor 45/50C soft
501164B4	Chain conveyor 50/50 strong
501164SOFT	Chain conveyor 50/50C soft
601164B4	Chain conveyor 60/70 strong
601164SOFT	Chain conveyor 60/70C soft
601169B4	Chain conveyor 60/70 strong nylon
601167B4	Chain conveyor 60/70/6CN strong nylon - Ø 60 chain
601165B4	Chain conveyor 60/70/6CN/42 nylon
602396B4	Chain conveyor 60/70 strong nylon rinforzato
601202	Chain conveyor 60/70 SST nylon
602366	Chain conveyor 60/70 SST moplen

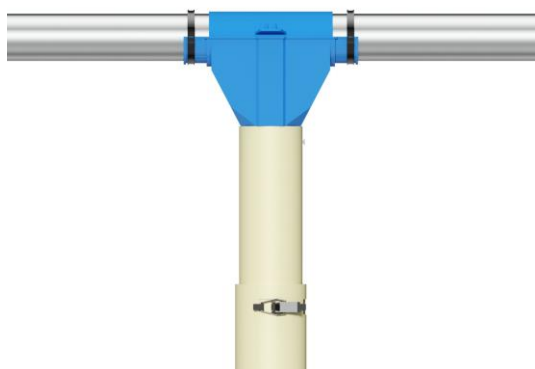
Joints for chain conveyors



Code	JOINTS FOR CHAIN CONVEYORS
401293	Joint for chain conveyor Ø 40/50C
451293	Joint for chain conveyor Ø 45/50C
501293	Joint for chain conveyor Ø 50/50C
601293	Joint for chain conveyor Ø 60/70

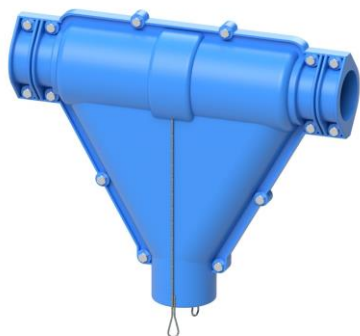
DISCHARGES

Drop tubes



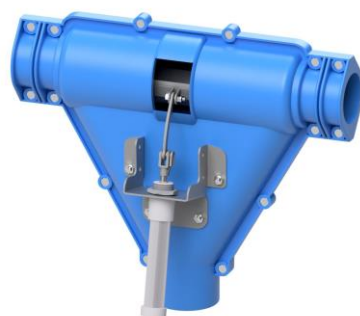
Code	DROP TUBES P./40 - with shutter
401316	Drop tube P40/40
451407	Drop tube P45/40
601407	Drop tube P60/40
DROP TUBES P./80 - with shutter	
401246	Drop tube P40/80
451246	Drop tube P45/80
601246	Drop tube P60/80
DROP TUBES P60/280 - without shutter	
601799	Drop tube P60/280

Discharge valves with manual shutter



Code	DISCHARGE VALVES WITH MANUAL SHUTTER
601833	Manual discharge valve P60/280
001192	Roof for manual shutter
006127	Roof for manual shutter SST

Discharge valves with pneumatic shutter



Code	VERSIONS WITH CYLINDER
601928	Discharge valve PN60/280 - SST shutter
601747	Discharge valve PN60/280 - plastic shutter
VERSIONS WITHOUT CYLINDER	
601929	Discharge valve PN60/280 - SST shutter
601748	Discharge valve PN60/280 - plastic shutter

Discharge valves with electric shutter



Code	DISCHARGE VALVES WITH ELECTRIC SHUTTER
601951	Electric discharge valve P60/280
002298	Cover for electric discharge valve EP60/280

Drop tubes with shutters for cages



Code	DROP TUBES FOR CAGES
601800ST	Drop tube FA Ø 60/235 without pipe

TELESCOPIC PVC PIPES

Telescopic pipes



Code	MODELS Ø 50/63
001437	Telescopic pipe mt. 1 Ø 50/63 PVC
001438	Telescopic pipe mt. 1,5 Ø 50/63 PVC
001439	Telescopic pipe mt. 2 Ø 50/63 PVC
	MODELS Ø 80/90
001248	Telescopic pipe mt. 1 Ø 80/90 PVC
001262	Telescopic pipe mt. 1,5 Ø 80/90 PVC
001263	Telescopic pipe mt. 2 Ø 80/90 PVC

ACCESSORIES

CONTAINERS

Containers



Code	GALVANIZED SHEET METAL VERSIONS
001129	Container 30 liters
006867	Container 70 liters
001365	Container 100 liters
001409	Container 320 liters
001130	Container 320 liters with legs
	STAINLESS STEEL VERSIONS
001118	Container 30 liters SST
002467	Container 70 liters SST
005595	Container 100 liters SST
001732	Container 320 liters SST
001756	Container 320 liters with legs SST

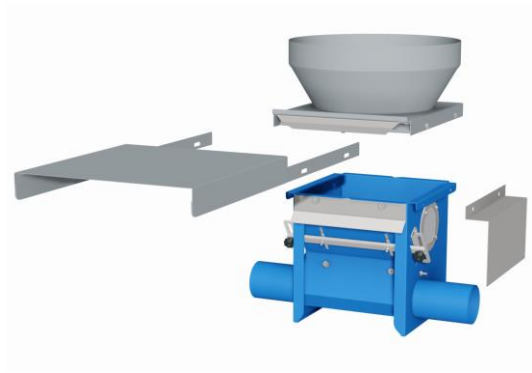
SILO ADAPTORS

Silo adaptors with manual shutter



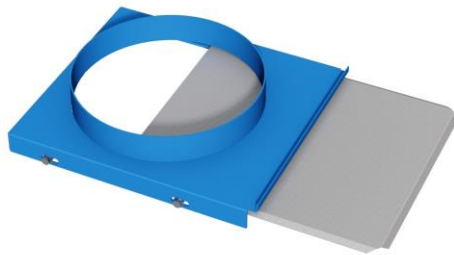
Code	MODELS Ø 440
001335	Silo adaptor w/shutter Ø 440
001336	Silo adaptor w/shutter Ø 440 SST
	MODELS Ø 540
001359	Silo adaptor w/shutter Ø 540
001552	Silo adaptor w/shutter Ø 540 SST
	MODELS Ø 920
001360	Silo adaptor w/shutter Ø 920
001553	Silo adaptor w/shutter Ø 920 SST

Covers for silo adaptors



Code	COVERS FOR SILO ADAPTORS
005416	Cover for silo adaptor FA
005446	Cover for door hopper AN

Flange with manual shutter



Code	DESCRIPTION
006567	Flange silo adaptor FA

Electric shutter



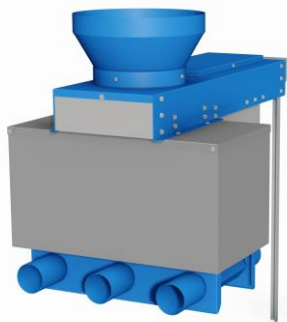
Code	DESCRIPTION
002033	Electric shutter MO12 silo-hopper

Cones silo adaptors for electric shutter



Code	CONES FOR SILO ADAPTORS
001857	Cone silo adaptor FA406
006009	Cone silo adaptor FA440

Covers for hoppers



Code	COVERS FOR 1/2/3-WAYS HOPPERS
002034	Cover for 1 - 2 ways hopper - electric shutter MO12
002035	Cover for three-ways hopper - electric shutter MO12

BRACKETS

Wall brackets



Code	WALL BRACKETS
001390	Wall bracket 300
001391	Wall bracket 600
001392	Wall bracket 1000
001767	Wall bracket 1200
001716	Wall bracket 1500

TELESCOPIC STANDS

Telescopic stands MP



Code	TELESCOPIC STANDS
601393	Telescopic stand MP60x600
601771	Telescopic stand MP60x1200

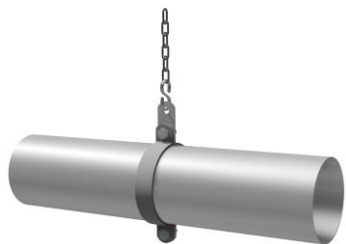
CLAMPS

Two-holes clamps



Code	GALVANIZED SHEET METAL VERSIONS
403818	Clamp Ø 40x3
453821	Clamp Ø 45x3
603839	Clamp Ø 60x3
STAINLESS STEEL VERSIONS	
405333	Clamp Ø 40x2 SST
455333	Clamp Ø 45x2 SST
605333	Clamp Ø 60x2 SST

Three-holes clamps for suspension



Code	GALVANIZED SHEET METAL VERSIONS
405340	Clamp Ø 40x3 - 3F
455340	Clamp Ø 45x3 - 3F
605340	Clamp Ø 60x3 - 3F
004263	Suspension chain n. 15 Ø 2,5 ZIFO
003378	Hook S n. 20

STOP SWITCHES

Stop switch by spring



Code	DESCRIPTION
001242	Stop switch by spring

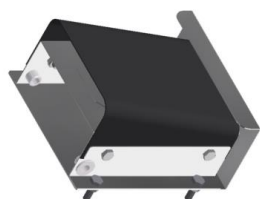
Sensored stop switch on the pipe



	MODEL WITH SENSOR MOUNTED ON THE PIPE
601793	Sensored stop switch on Ø60 pipe
601794	Sensored stop switch with timer on Ø60 pipe

LEVEL INDICATORS

Level indicator with paddle



Code	DESCRIPTION
001155	Level indicator Falcon

Level indicator with sensor



MODEL WITH SENSOR	
001156	Level sensor NO/NC
001157	Level sensor with timer NO/NC

ELECTRIC PANELS

Electric panels

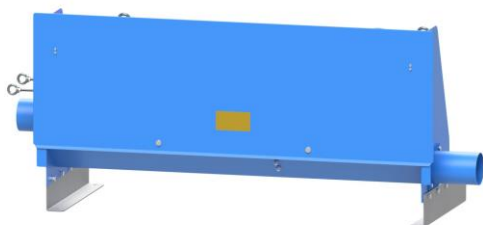


ELECTRIC PANELS	
001147	Electric panel 1M
001148	Electric panel 2M
001149	Electric panel 3M
001152	Electric panel 1M/i
001153	Electric panel 2M/i

CHAIN SYSTEMS Ø 102, 114

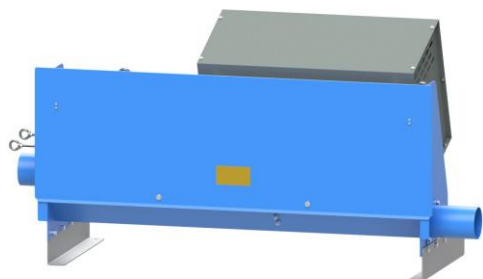
DRIVE UNITS

Drive unit model AN102/11 with direct transmission



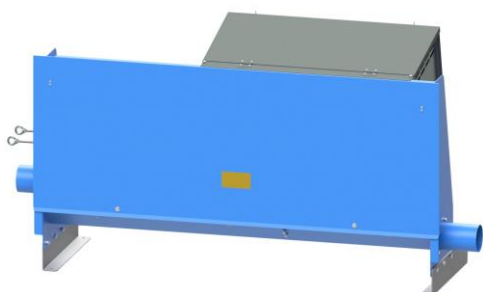
Code	GALVANIZED SHEET METAL VERSIONS
1021801D	Drive unit AN102/11 HP2 right
1021801S	Drive unit AN102/11 HP2 left
1022118D	Drive unit AN102/11 HP3 right
1022118S	Drive unit AN102/11 HP3 left
STAINLESS STEEL VERSIONS	
1021805D	Drive unit AN102/11 HP2 right SST
1021805S	Drive unit AN102/11 HP2 left SST
1022010D	Drive unit AN102/11 HP3 right SST
1022010S	Drive unit AN102/11 HP3 left SST

Drive unit model AN102/11 with belt transmission



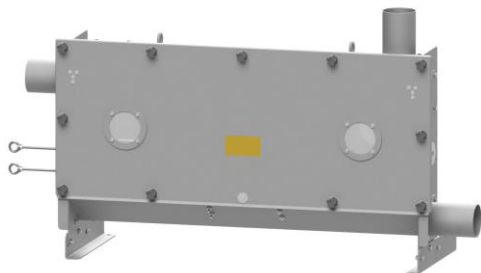
Code	GALVANIZED SHEET METAL VERSIONS
1021802D	Drive unit AN102/11 HP2 B3 right
1021802S	Drive unit AN102/11 HP2 B3 left
1021803D	Drive unit AN102/11 HP3 B3 right
1021803S	Drive unit AN102/11 HP3 B3 left
1021804D	Drive unit AN102/11 HP4 B3 right
1021404S	Drive unit AN102/11 HP4 B3 left
1021686-4D	Drive unit AN102/16 HP3 B3 right
1021686-4S	Drive unit AN102/16 HP3 B3 left
1021687-4D	Drive unit AN102/16 HP4 B3 right
1021687-4S	Drive unit AN102/16 HP4 B3 left
1021688-4D	Drive unit AN102/16 HP5,5 B3 right
1021688-4S	Drive unit AN102/16 HP5,5 B3 left
STAINLESS STEEL VERSIONS	
1021806D	Drive unit AN102/11 HP2 B3 right SST
1021806S	Drive unit AN102/11 HP2 B3 left SST
1021807D	Drive unit AN102/11 HP3 B3 right SST
1021807S	Drive unit AN102/11 HP3 B3 left SST
1021808D	Drive unit AN102/11 HP4 B3 right SST
1021808S	Drive unit AN102/11 HP4 B3 left SST

Drive unit model AN102/16 with belt transmission



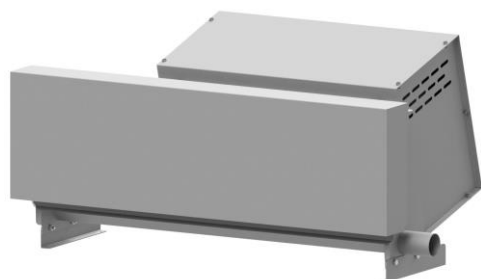
Code	GALVANIZED SHEET METAL VERSIONS
1021686-4D	Drive unit AN103/16 HP3 right
1021686-4S	Drive unit AN103/16 HP3 left
1021687-4D	Drive unit AN103/16 HP4 right
1021687-4S	Drive unit AN103/16 HP4 left
1021688-4D	Drive unit AN103/16 HP5,5 right
1021688-4S	Drive unit AN103/16 HP5,5 left

Drive units model RI



Code	GALVANIZED SHEET METAL VERSIONS
1142382D	Drive unit RI114 HP3 B3 right
1142382S	Drive unit RI114 HP3 B3 left
1142383D	Drive unit RI114 HP4 B3 right
1142383S	Drive unit RI114 HP4 B3 left
STAINLESS STEEL VERSIONS	
1022066D	Drive unit RI102 HP2 B3 right SST
1022066S	Drive unit RI102 HP2 B3 left SST
1022068D	Drive unit RI102 HP3 B3 right SST
1022068S	Drive unit RI102 HP3 B3 left SST
1022230D	Drive unit RI102 HP4 B3 right SST
1022230S	Drive unit RI102 HP4 B3 left SST
1142210D	Drive unit RI114 HP3 B3 right SST
1142210S	Drive unit RI114 HP3 B3 left SST
1142211D	Drive unit RI114 HP4 B3 right SST
1142211S	Drive unit RI114 HP4 B3 left SST

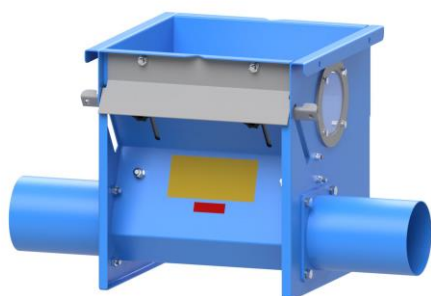
Covers for drive units



Code	MOTOR COVERS
1021121	Motor cover for drive unit RI102-RI114-AN102/11
1021669	Motor cover for drive unit AN102/16
1021122	Motor cover for drive unit RI102-RI114-AN102/11 SST
FRONT COVERS	
1025943	Front cover for drive unit AN102/11
1025304	Front cover for drive unit AN102/16
1027643	Front cover for drive unit AN102/11 SST

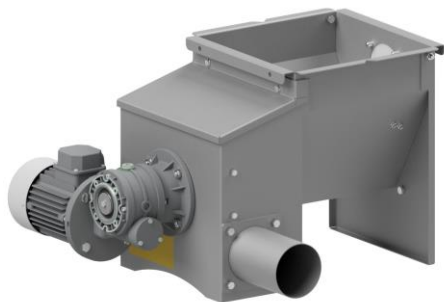
HOPPERS

Hoppers model AN



Code	ONE-WAY HOPPERS
1021128	One-way hopper AN102
1021550	One-way hopper AN102 SST
1141128	One-way hopper AN114
1141550	One-way hopper AN114 SST
TWO-WAYS HOPPERS	
1021102	Two-ways hopper 2AN102
1021551	Two-ways hopper 2AN102 SST
1141102	Two-ways hopper 2AN114
1141551	Two-ways hopper 2AN114 SST
THREE-WAYS HOPPERS	
1021123	Three-ways hopper 3AN102
1025431	Three-ways hopper 3AN102 SST
TANDEM HOPPERS	
1142429	Tandem one-way hopper AN114 SST

Hoppers with extractor



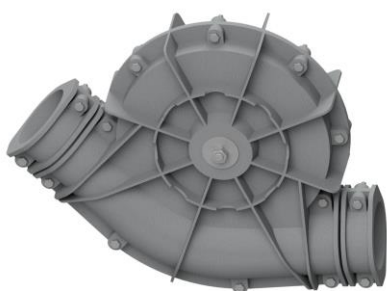
Code	HOPPERS WITH MOTORIZED EXTRACTOR
1021679	Motorized hopper AN102 SST
1141679	Motorized hopper AN114 SST

CORNERS

Corners with aluminum housing



Code	90° WITH INTERNAL BEARINGS
1021173-19	90° corner A102/80-19
1141173	90° corner A114
90° WITH EXTERNAL BEARINGS	
1022065	90° corner A102/80CDE13
1142065	90° corner A114/CE15
90° WITH INTERNAL BUSHES	
1022526CB	90° corner A102/80 with bushes
1142526CB	90° corner A114CB with bushes

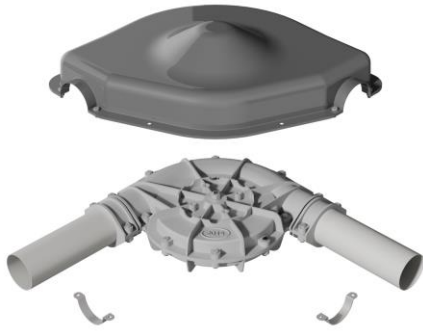


Code	135° WITH INTERNAL BEARINGS
1021175-19	135° corner A102/80-19
135° WITH EXTERNAL BEARINGS	
1022072	135° corner A102/80CDE13
135° WITH INTERNAL BUSHES	
1021175CB	135° corner A102/80 with bushes



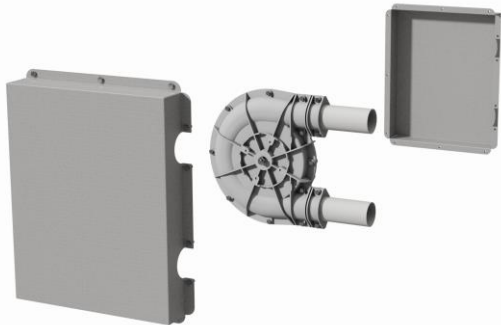
Code	360° WITH INTERNAL BEARINGS
1021177-19	360° corner A102/80-19
1142527	360° corner A114
360° WITH EXTERNAL BEARINGS	
1022073	360° corner A102/80CDE13
1142073	360° corner A114/CE15
360° WITH INTERNAL BUSHES	
1021177CB	360° corner A102/80 with bushes
1141177	360° corner A114 with bushes

Single covers in galvanized sheet metal



Code	COVERS FOR 90° CORNERS
1022053	Single cover 90° corner A102/80
1142659	Single cover 90° corner A114
COVERS FOR 135° CORNERS	
1022353	Single cover 135° corner A102/80
COVERS FOR 360° CORNERS	
1022141	Single cover 360° corner A102/80
1142701	Single cover 360° corner A114

Double covers in galvanized sheet metal



Code	COVERS FOR 90° CORNERS
1022054	Double cover 90° corner A102/80
1142699	Double cover 90° corner A114
COVERS FOR 135° CORNERS	
1022354	Double cover 135° corner A102/80
COVERS FOR 360° CORNERS	
1022142	Double cover 360° corner A102/80
1142702	Double cover 360° corner A114

PIPELINES

Feeding pipes



Code	GALVANIZED SHEET METAL VERSIONS
1021161	Feeding pipe Ø 102
1141161	Feeding pipe Ø 114
STAINLESS STEEL VERSIONS	
1021162	Feeding pipe Ø 102 SST
1141162	Feeding pipe Ø 114 SST

Control segments



Code	GALVANIZED SHEET METAL VERSIONS
1021184	Control segment Ø 102
1141184	Control segment Ø 114
STAINLESS STEEL VERSIONS	
1021185	Control segment Ø 102 SST
1141185	Control segment Ø 114 SST

Couplers with screws



Code	GALVANIZED SHEET METAL VERSIONS
1021375	Coupler for feeding pipe S102
1141375	Coupler for feeding pipe S114
STAINLESS STEEL VERSIONS	
1021158	Coupler for feeding pipe S102 SST
1141158	Coupler for feeding pipe S114 SST

Couplers with screws and gaskets



Code	GALVANIZED SHEET METAL VERSIONS
1142698	Coupler for feeding pipe SP114
STAINLESS STEEL VERSIONS	
1142755	Coupler for feeding pipe SP114 SST

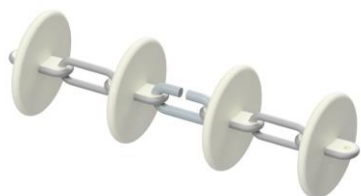
CHAIN CONVEYORS

Chain conveyors



Code	CHAIN CONVEYORS
1021608B4	Chain conveyor C102/80 strong nylon
1021609	Chain conveyor C102/80 SST nylon
1142400B4	Chain conveyor 114/90 strong nylon
1142356	Chain conveyor 114/90 SST nylon

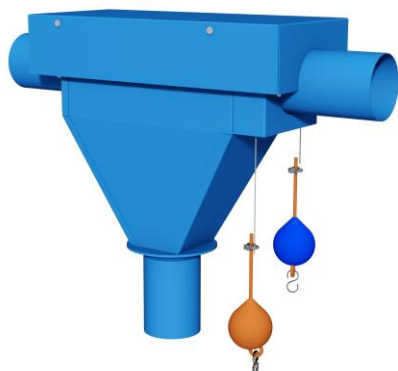
Joints for chain conveyors



Code	JOINTS FOR CHAIN CONVEYORS
1021293-9	Joint for chain conveyor Ø 102/80/9C
122115	Joint for chain conveyor Ø 102/80 closed
1141293	Joint for chain conveyor Ø 114/90
1142115	Joint for chain conveyor Ø 114/90 closed

DISCHARGES

Discharge valves with manual shutter



Code	DISCHARGE VALVES WITH MANUAL SHUTTER
1021416	Manual discharge vale MA102
1021457	Manual discharge vale MA102 SST
1142305	Manual discharge vale MA114
1142306	Manual discharge vale MA114 SST

Discharge valves with pneumatic shutter



Code	VERSIONS WITH CYLINDER
1022131UDE	Saracinesca PN102 w/cylinder UDE
1022128UDE	Saracinesca PN102 w/cylinder UDE SST
1022131UDES	Saracinesca PN102 w/cylinder UDE with sensors
1022128UDES	Saracinesca PN102 w/cylinder UDE with sensors SST
1142345UDE	Saracinesca PN114 w/cylinder UDE
1142297UDE	Saracinesca PN114 w/cylinder UDE SST
1142345UDES	Saracinesca PN114 w/cylinder UDE with sensors
1142297UDES	Saracinesca PN114 w/cylinder UDE with sensors SST
VERSIONS WITHOUT CYLINDER	
1022131SC	Saracinesca PN102 without cylinder
1022128SC	Saracinesca PN102 without cylinder SST
1142345SC	Saracinesca PN114 without cylinder
1142297SC	Saracinesca PN114 without cylinder SST

Discharge segments without shutter



Code	GALVANIZED SHEET METAL VERSIONS
1021191	Discharge segment Ø 102
1142381	Discharge segment Ø 102 SST
STAINLESS STEEL VERSIONS	
1021493	Discharge segment Ø 114
1142315	Discharge segment Ø 114 SST

Drop tubes with shutters for cages



Code	DROP TUBES FOR CAGES
1021800ST	Drop tube FA Ø 102/235 without pipe
1141812ST	Drop tube FA Ø 114/235 without pipe

Load segments



Code	LOAD SEGMENTS
1022008	Load segment Ø 102
1142008	Load segment Ø 114

ACCESSORIES

CONTAINERS

Containers



Code	GALVANIZED SHEET METAL VERSIONS
001129	Container 30 liters
006867	Container 70 liters
001365	Container 100 liters
001409	Container 320 liters
001130	Container 320 liters with legs
STAINLESS STEEL VERSIONS	
001118	Container 30 liters SST
002467	Container 70 liters SST
005595	Container 100 liters SST
001732	Container 320 liters SST
001756	Container 320 liters with legs SST

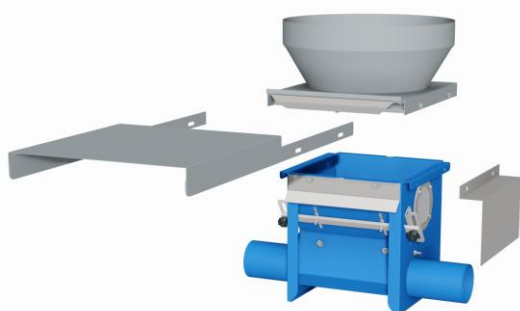
SILO ADAPTORS

Silo adaptors with manual shutter



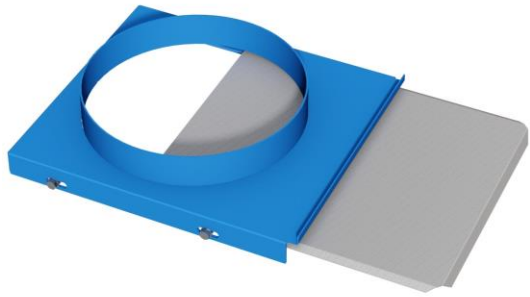
Code	MODELS Ø 440
001335	Silo adaptor w/shutter Ø 440
001336	Silo adaptor w/shutter Ø 440 SST
MODELS Ø 540	
001359	Silo adaptor w/shutter Ø 540
001552	Silo adaptor w/shutter Ø 540 SST
MODELS Ø 920	
001360	Silo adaptor w/shutter Ø 920
001553	Silo adaptor w/shutter Ø 920 SST

Covers for silo adaptors



Code	COVERS FOR SILO ADAPTORS
005416	Cover for silo adaptor FA
005446	Cover for door hopper AN

Flange with manual shutter



Code	DESCRIPTION
006567	Flange silo adaptor FA

Electric shutter



Code	DESCRIPTION
002033	Electric shutter MO12 silo-hopper

Cones silo adaptors for electric shutter



Code	CONES FOR SILO ADAPTORS
001857	Cone silo adaptor FA406
006009	Cone silo adaptor FA440

Covers for hoppers



Code	COVERS FOR 1/2/3-WAYS HOPPERS
002034	Cover for 1 - 2 ways hopper - electric shutter MO12
002035	Cover for three-ways hopper - electric shutter MO12

BRACKETS

Wall brackets



Code	WALL BRACKETS
001390	Wall bracket 300
001391	Wall bracket 600
001392	Wall bracket 1000
001767	Wall bracket 1200
001716	Wall bracket 1500

TELESCOPIC STANDS

Telescopic stands MP



Code	TELESCOPIC STANDS
601393	Telescopic stand MP60x600
601771	Telescopic stand MP60x1200

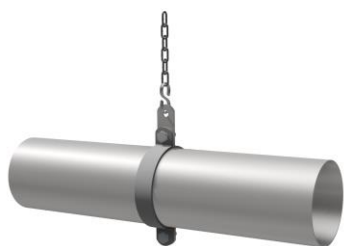
CLAMPS

Two-holes clamps



Code	GALVANIZED SHEET METAL VERSIONS
1023894	Clamp Ø 102x3
1142705	Clamp Ø 114x3
STAINLESS STEEL VERSIONS	
1025333	Clamp Ø 102x2 SST
1148443	Clamp Ø 114x2,5 SST

Three-holes clamps for suspension



Code	GALVANIZED SHEET METAL VERSIONS
1025340	Clamp Ø 102x3 - 3F
1142706	Clamp Ø 114x3 - 3F
004263	Suspension chain n. 15 Ø 2,5 ZIFO
003378	Hook S n. 20

STOP SWITCHES

Stop switch by spring



Code	MODEL WITH SPRING
001242	Stop switch by spring

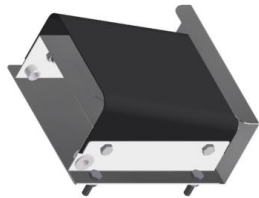
Sensored stop switch on the pipe



	MODEL WITH SENSOR MOUNTED ON THE PIPE
601793	Sensored stop switch on Ø60 pipe
601794	Sensored stop switch with timer on Ø60 pipe

LEVEL INDICATORS

Level indicator with paddle



Code	MODEL WITH PADDLE
001155	Level indicator Falcon

Level indicator with sensor



	MODEL WITH SENSOR
001156	Level sensor NO/NC
001157	Level sensor with timer NO/NC

ELECTRIC PANELS

Electric panels

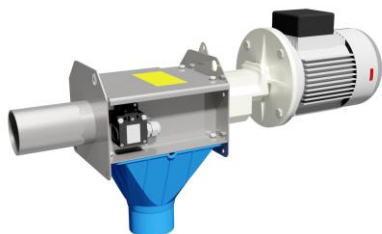


ELECTRIC PANELS	
001147	Electric panel 1M
001148	Electric panel 2M
001149	Electric panel 3M
001152	Electric panel 1M/i
001153	Electric panel 2M/i

SPIRAL SYSTEMS Ø 63, 75, 90, 125

DRIVE UNITS

Drive units MR with direct transmission



Code	GALVANIZED SHEET METAL VERSIONS
631353	Drive unit MR63AMF HP1
631643	Drive unit MR63/90 HP2
751353	Drive unit MR75AMF HP1
751643	Drive unit MR75/90 HP2
901353	Drive unit MR90AMF HP1
901643	Drive unit MR90/90 HP2
1251622	Drive unit MR125/80 HP1
1251643	Drive unit MR125/90 HP2
STAINLESS STEEL VERSIONS	
631638	Drive unit MR63AMF HP1 SST
631656	Drive unit MR63/90 HP2 SST
751638	Drive unit MR75AMF HP1 SST
751656	Drive unit MR75/90 HP2 SST
901638	Drive unit MR90AMF HP1 SST
901656	Drive unit MR90/90 HP2 SST
1251761	Drive unit MR125/80 HP1 SST
1251656	Drive unit MR125/90 HP2 SST

Drive units MP with belt transmission



Code	GALVANIZED SHEET METAL VERSIONS
631350	Drive unit MP63 HP1
631351	Drive unit MP63 HP2
751350	Drive unit MP75 HP1
751351	Drive unit MP75 HP2
901350	Drive unit MP90 HP1
901351	Drive unit MP90 HP2
1251350	Drive unit MP125 HP1
1251351	Drive unit MP125 HP2
1251662	Drive unit MP125 HP3
STAINLESS STEEL VERSIONS	
631635	Drive unit MP63 HP1 SST
631656	Drive unit MP63 HP2 SST
751635	Drive unit MP75 HP1 SST
751656	Drive unit MP75 HP2 SST
901635	Drive unit MP90 HP1 SST
901656	Drive unit MP90 HP2 SST
1251635	Drive unit MP125 HP1 SST
1251656	Drive unit MP125 HP2 SST
1251663	Drive unit MP125 HP3 SST

SP HOPPERS

HORIZONTAL HOPPERS

One-way hoppers



Code	GALVANIZED SHEET METAL VERSIONS
631354	Horizontal one-way hopper 63SO/1
751354	Horizontal one-way hopper 75SO/1
901354	Horizontal one-way hopper 90SO/1
1251354	Horizontal one-way hopper 125SO/1
STAINLESS STEEL VERSIONS	
631639	Horizontal one-way hopper 63SO/1 SST
751639	Horizontal one-way hopper 75SO/1 SST
901639	Horizontal one-way hopper 90SO/1 SST
1251639	Horizontal one-way hopper 125SO/1 SST

Two-ways hoppers



Code	GALVANIZED SHEET METAL VERSIONS
631355	Horizontal two-ways hopper 63SO/2
751355	Horizontal two-ways hopper 75SO/2
901355	Horizontal two-ways hopper 90SO/2
1251355	Horizontal two-ways hopper 125SO/2
STAINLESS STEEL VERSIONS	
631657	Horizontal two-ways hopper 63SO/2 SST
751657	Horizontal two-ways hopper 75SO/2 SST
901657	Horizontal two-ways hopper 90SO/2 SST
1251657	Horizontal two-ways hopper 125SO/2 SST

30° HOPPERS

One-way hoppers



Code	GALVANIZED SHEET METAL VERSIONS
631356	30° one-way hopper 63SO/1
751356	30° one-way hopper 75SO/1
901356	30° one-way hopper 90SO/1
1251356	30° one-way hopper 125SO/1
STAINLESS STEEL VERSIONS	
631640	30° one-way hopper 63SO/1 SST
751640	30° one-way hopper 75SO/1 SST
901640	30° one-way hopper 90SO/1 SST
1251640	30° one-way hopper 125SO/1 SST

Two-ways hoppers



Code	GALVANIZED SHEET METAL VERSIONS
631357	30° two-ways hopper 63SO/2
751357	30° two-ways hopper 75SO/2
901357	30° two-ways hopper 90SO/2
1251357	30° two-ways hopper 125SO/2
STAINLESS STEEL VERSIONS	
631658	30° two-ways hopper 63SO/2 inox
751658	30° two-ways hopper 75SO/2 inox
901658	30° two-ways hopper 90SO/2 inox
1251658	30° two-ways hopper 125SO/2 inox

TANDEM HOPPERS

One-way hoppers



Code	GALVANIZED SHEET METAL VERSIONS
631574	One-way tandem hopper 63SO/1
751574	One-way tandem hopper 75SO/1
901574	One-way tandem hopper 90SO/1
1251574	One-way tandem hopper 125SO/1
STAINLESS STEEL VERSIONS	
631642	One-way tandem hopper 63SO/1 SST
751642	One-way tandem hopper 75SO/1 SST
901642	One-way tandem hopper 90SO/1 SST
1251642	One-way tandem hopper 125SO/1 SST

Two-ways hoppers



Code	GALVANIZED SHEET METAL VERSIONS
631575	Two-ways tandem hopper 63SO/2
751575	Two-ways tandem hopper 75SO/2
901575	Two-ways tandem hopper 90SO/2
1251575	Two-ways tandem hopper 125SO/2
STAINLESS STEEL VERSIONS	
631659	Two-ways tandem hopper 63SO/2 SST
751659	Two-ways tandem hopper 75SO/2 SST
901659	Two-ways tandem hopper 90SO/2 SST
1251659	Two-ways tandem hopper 125SO/2 SST

PIPELINES

TUBULAR EXTRACTORS

Tubular extractors



Code	TUBULAR EXTRACTORS
631348	Tubular extractors ES63
751348	Tubular extractors ES75
901348	Tubular extractors ES90
1251348	Tubular extractors ES125

PIPES

Feeding pipes



Code	FEEDING PIPES
631363	Feeding pipe Ø 63 PVC
751363	Feeding pipe Ø 75 PVC
901363	Feeding pipe Ø 90 PVC
1251363	Feeding pipe Ø 125 PVC

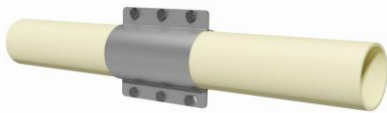
Bended feeding pipes



Code	BENDED FEEDING PIPES
631366	30° bended pipe Ø 63 mt. 1,6 PVC
751636	30° bended pipe Ø 75 mt. 1,6 PVC
901366	30° bended pipe Ø 90 mt. 1,6 PVC
1251366	30° bended pipe Ø 125 mt. 1,6 PVC

COUPLERS FOR FEEDING PIPES

Couplers for feeding pipes with screws



Code	GALVANIZED SHEET METAL VERSIONS
631375	Coupler for feeding pipes S63
751375	Coupler for feeding pipes S75
901375	Coupler for feeding pipes S90
1251375	Coupler for feeding pipes S125
STAINLESS STEEL VERSIONS	
631158	Coupler for feeding pipes S63 SST
751158	Coupler for feeding pipes S75 SST
901158	Coupler for feeding pipes S90 SST
1251158	Coupler for feeding pipes S125 SST

SPIRAL CONVEYORS

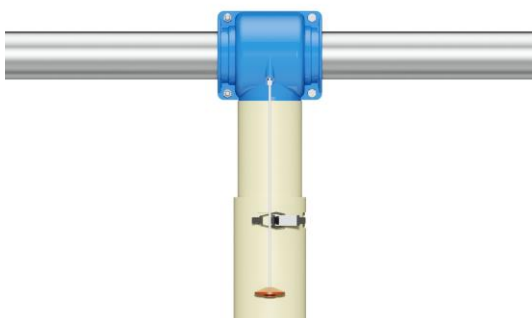
Spiral conveyors



Code	SPIRAL CONVEYORS
631368	Spiral 60/48R
751368	Spiral 75/60
901368	Spiral 90/68
1251368	Spiral 125/95

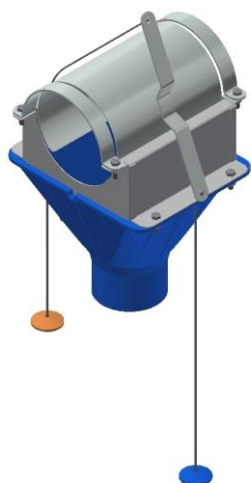
DISCHRGES

Drop tubes with manual shutter SP../80



Code	DROP TUBES SP../80
631249	Drop tube SP63/80
751249	Drop tube SP75/80
901249	Drop tube SP90/80

Drop tubes with manual shutter SP125



Code	DROP TUBES SP125
1251371	Drop tube SP125/M
1251819	Drop tube SP125/M SST

TELESCOPIC PVC PIPES

Telescopic pipes



Code	MODELS Ø 80/90
001248	Telescopic pipe mt. 1 Ø 80/90 PVC
001262	Telescopic pipe mt. 1,5 Ø 80/90 PVC
001263	Telescopic pipe mt. 2 Ø 80/90 PVC

ACCESSORIES

CONTAINERS

Containers



Code	GALVANIZED SHEET METAL VERSIONS
001129	Container 30 liters
006867	Container 70 liters
001365	Container 100 liters
001409	Container 320 liters
001130	Container 320 liters with legs
STAINLESS STEEL VERSIONS	
001118	Container 30 liters SST
002467	Container 70 liters SST
005595	Container 100 liters SST
001732	Container 320 liters SST
001756	Container 320 liters with legs SST

SILO ADAPTORS

Silo adaptors with manual shutter



Code	MODELS Ø 440
001335	Silo adaptor w/shutter Ø 440
001336	Silo adaptor w/shutter Ø 440 SST
MODELS Ø 540	
001359	Silo adaptor w/shutter Ø 540
001552	Silo adaptor w/shutter Ø 540 SST
MODELS Ø 920	
001360	Silo adaptor w/shutter Ø 920
001553	Silo adaptor w/shutter Ø 920 SST

CLAMPS

Two-holes clamps



Code	GALVANIZED SHEET METAL VERSIONS
633839	Clamp Ø 63x3
753884	Clamp Ø 75x3
903886	Clamp Ø 90x3
1253894	Clamp Ø 125x3
STAINLESS STEEL VERSIONS	
635333	Clamp Ø 63x3 SST
755333	Clamp Ø 75x3 SST
905333	Clamp Ø 90x3 SST
1255333	Clamp Ø 125x3 SST

Three-holes clamps for suspension



Code	GALVANIZED SHEET METAL VERSIONS
635340	Clamp Ø 63x3 - 3F
755340	Clamp Ø 75x3 - 3F
905340	Clamp Ø 90x3 - 3F
1255340	Clamp Ø 125x3 - 3F
004263	Suspension chain n. 15 Ø 2,5 ZIFO
003378	Hook S n. 20

STOP SWITCHES

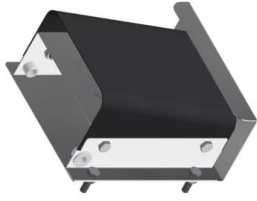
Stop switch by spring



Code	MODEL WITH SPRING
001242	Stop switch by spring

LEVEL INDICATORS

Level indicator with paddle



Code	MODEL FALCON
001155	Level indicator Falcon

Level indicator with sensor



	MODEL WITH SENSOR
001156	Level sensor NO/NC
001157	Level sensor with timer NO/NC

ELECTRIC PANELS

Electric panels

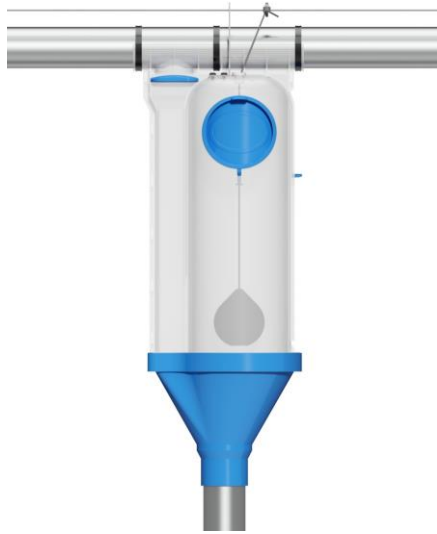


	ELECTRIC PANELS
001147	Electric panel 1M
001148	Electric panel 2M
001149	Electric panel 3M
001152	Electric panel 1M/i
001153	Electric panel 2M/i

PIG FARMING

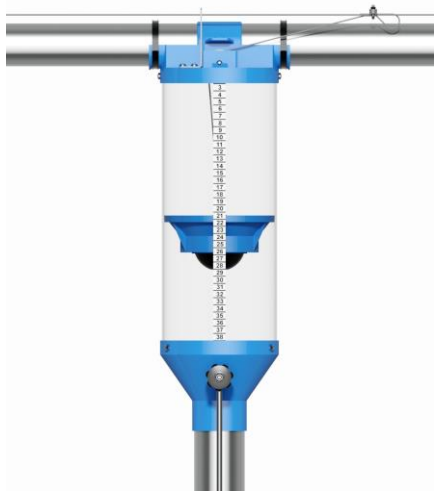
INDIVIDUAL VOLUMETRIC DISPENSERS

AE3 dispensers



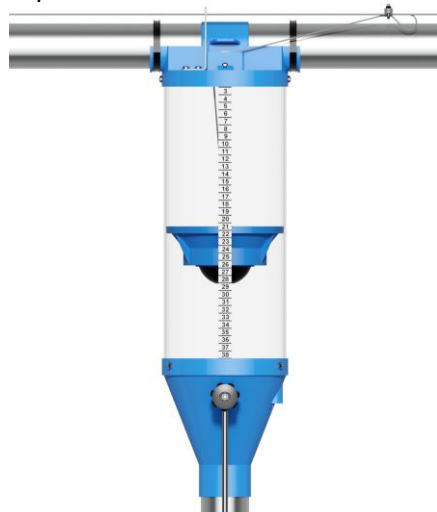
Code	DISPENSERS AE3
601900	Dispenser AE3
601900E	Dispenser AE3 E (SST cable - with counterweight)
601900N	Dispenser AE3 N (SST cable - without counterweight)
601900MC	Dispenser AE3 MC (nylon cable - without counterweight)

AC/PVC with central conveyor dispensers



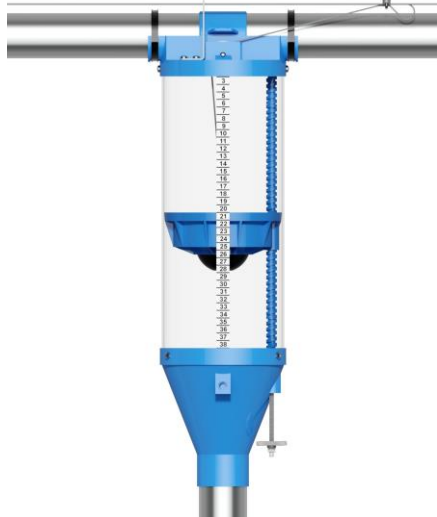
Code	MODELS WITH TRANSPARENT ACRYLIC CONTAINER
601228	Dispenser AC2 liters 4,4 Ø60
601204	Dispenser AC3 liters 6 Ø60
601206	Dispenser 200AC liters 7 Ø60
601220	Dispenser 160AC6 liters 10 Ø60
601221	Dispenser 200AC6 liters 10 Ø60
601440	Dispenser 200AC12 liters 22 Ø60
MODELS WITH TRANSPARENT PVC CONTAINER	
601537	Dispenser PVC2 liters 4,4 Ø60
601538	Dispenser PVC3 liters 6 Ø60
601539	Dispenser 160PVC6 liters 10 Ø60

AC/PVC/D with off-set conveyor dispensers



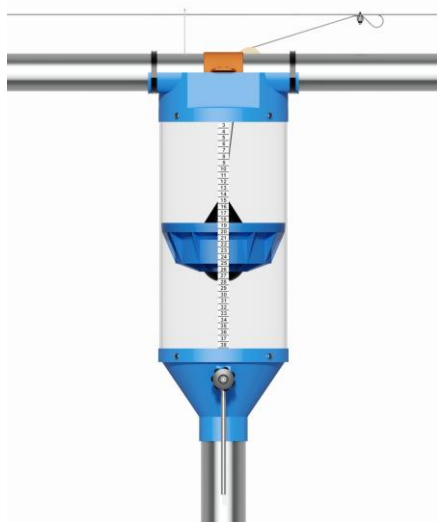
Code	MODELS WITH TRANSPARENT ACRYLIC CONTAINER
601434	Dispenser AC2D liters 4,4 Ø60
601435	Dispenser AC3D liters 6 Ø60
601436	Dispenser 160AC6D liters 10 Ø60
MODELS WITH TRANSPARENT PVC CONTAINER	
601571	Dispenser PVC2D liters 4,4 Ø60
601572	Dispenser PVC3D liters 6 Ø60
601573	Dispenser 160PVC6D liters 10 Ø60

AC/PVC/DC with off-set conveyor and regulation screw dispensers



Code	MODELS WITH TRANSPARENT ACRYLIC CONTAINER
601564	Dispenser AC2DC liters 4,4 Ø60
601565	Dispenser AC3DC liters 6 Ø60
601566	Dispenser 160AC6DC liters 10 Ø60
MODELS WITH TRANSPARENT PVC CONTAINER	
601576	Dispenser PVC2DC liters 4,4 Ø60
601577	Dispenser PVC3DC liters 6 Ø60
601578	Dispenser 160PVC6DC liters 10 Ø60

AC/2 with double feeding pipes dispensers



Code	MODELS WITH TRANSPARENT ACRYLIC CONTAINER
601208	Dispenser 200AC3/2 liters 6 Ø60
601256	Dispenser 200AC4/2 liters 7 Ø60
601233	Dispenser 200AC6/2 liters 10 Ø60
601227	Dispenser 200AC12/2 liters 22 Ø60

ACCESSORIES

Shutters



Code	MODELS Ø 40
403238	Serranda AC40
403238A	Serranda AC40 orange
MODELS Ø 45	
453238	Serranda AC45
453238A	Serranda AC45 orange
MODELS Ø 60	
603238	Serranda AC60
603238A	Serranda AC60 orange

Reductions



Code	REDUCTIONS
403925	Reduction AC40 (n. 2 per dispenser)
453925	Reduction AC45 (n. 2 per dispenser)
454152	Reduction AC45/2 (n. 4 per dispenser)

Conveyor pipes



Code	GALVANIZED SHEET METAL VERSIONS
001753	Conveyor pipe Ø60x1000
001754	Conveyor pipe Ø60x1200
001745	Conveyor pipe Ø60x1500
005100	Conveyor pipe Ø63x1000
001718	Conveyor pipe Ø63x1200
001479	Conveyor pipe Ø63x1500
005113	Conveyor pipe Ø70x1000
001719	Conveyor pipe Ø70x1200
001138	Conveyor pipe Ø70x1500

Supports for opening rope



Code	STANDS FOR OPENING ROPE
006812	Stand for opening control rope AE
003916	Stand for opening control rope AC
006836	Stand for opening control rope 200AC/2

Stop switches



Code	DESCRIPTION
001240	Sensored stop switch AC

CLAMPS FOR CONVEYOR PIPES

Clamps with U bolts



Code	CLAMPS WITH U BOLTS
005500	Cross-shaped clamps Ø60x33 with U bolts
001296	Cross-shaped clamps Ø63x33 with U bolts
001265	Cross-shaped clamps Ø70x33 with U bolts

Clamps with plates



Code	CLAMPS WITH PLATES
005498	Cross-shaped clamps Ø60x33 with plates
001446	Cross-shaped clamps Ø63x33 with plates
001447	Cross-shaped clamps Ø70x33 with plates

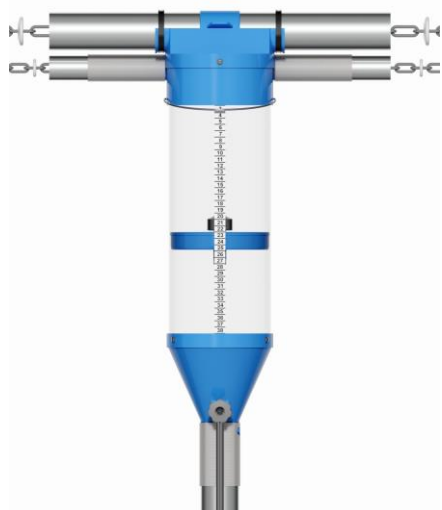
Clamps for opening rope



Code	CLAMPS FOR OPENING ROPE
456352	Clamp for opening control rope Ø45 AC
606352	Clamp for opening control rope Ø60 AC

FISIOMAT SYSTEM

Fisiomat dispensers



Code	MODELS WITH TRANSPARENT ACRYLIC CONTAINER
601661MP	Dispenser Fisiomat AC2 4,5 liters Ø60
601450MP	Dispenser Fisiomat AC3 6 liters Ø60

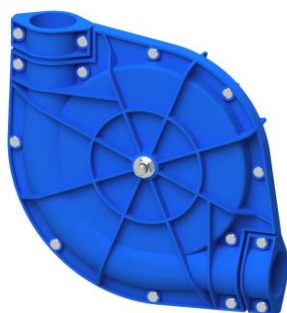
ACCESSORIES

Drive units model FISIOMAT



Code	DRIVE UNITS FISIOMAT
401595	Drive unit Fisiomat
401788	Drive unit Fisiomat SST

Corners



Code	CORNERS
401174	90° corner P40/50
401377	90° corner P40/50 with screws SST

Reductions



Code	DESCRIPTION
455946	Reduction FM45 (n. 2 per dispenser)

PIPELINES

Feeding pipes



Code	GALVANIZED SHEET METAL VERSIONS
401161	Feeding pipe Ø40

Couplers for feeding pipes



Code	COUPLERS FOR FEEDING PIPES
401159	Coupler for feeding pipe Ø40 (l=150mm)
401159F	Coupler for feeding pipe Ø40 FISIOMAT (l=150mm)

CHAIN CONVEYORS AND JOINT

Chain conveyors



Code	CHAIN CONVEYORS
401164B4	Chain conveyors 40/50C

Joints for chain conveyors

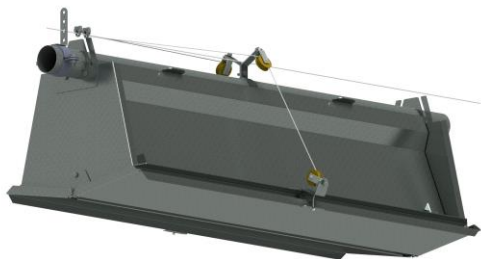


Code	JOINTS FOR CHAIN CONVEYORS
401293	Joints for chain conveyors 40/50C

FLOOR FEEDING SYSTEMS

VOLUMETRIC DISPENSERS 1025

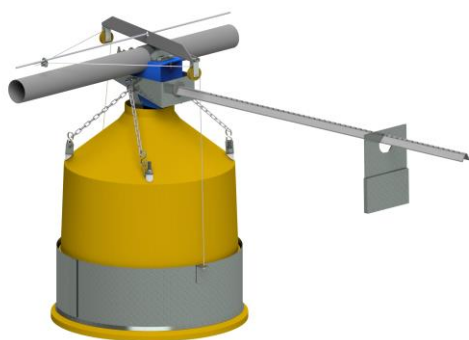
Volumetric dispensers model 1025



Code	VOLUMETRIC DISPENSERS 1025
601201	Volumetric dispenser 1025 Ø60 with shutter
601593	Volumetric dispenser 1025 Ø60 with shutter SST

WEIGHT DISPENSERS CP

Weight dispensers CP20/30

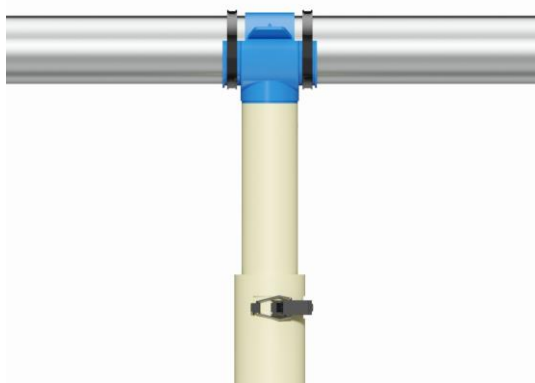


Code	WEIGHT DISPENSERS CP
601215	Weight dispenser CP20P Ø60 (max. capacity 20kg.)
601214	Weight dispenser CP30P Ø60 (max. capacity 30kg.)

AD LIBITUM SYSTEMS

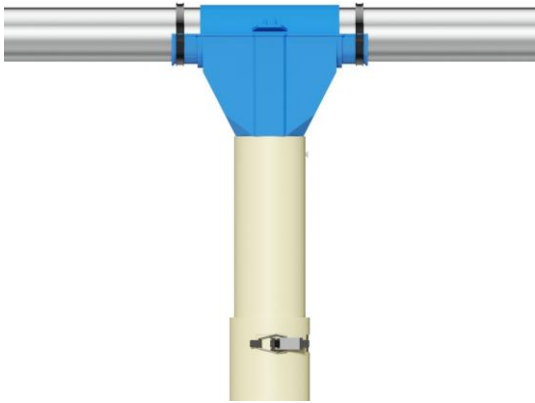
DROP TUBES

Drop tubes P../40



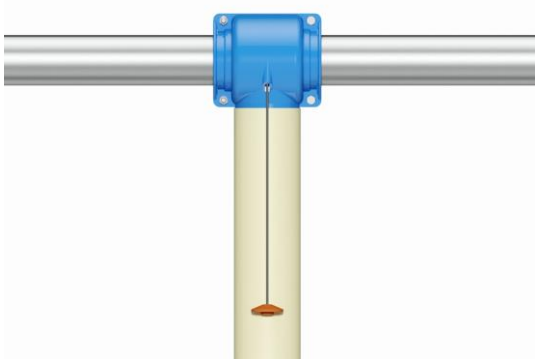
Code	DROP TUBES P. /40
401316	Drop tubes P40/40
451407	Drop tubes P45/40
601407	Drop tubes P60/40

Drop tubes P../80



Code	DROP TUBES P../80
401246	Drop tube P40/80
451246	Drop tube P45/80
601246	Drop tube P60/80

Drop tubes SP../80



Code	DESCRIPTION
601249	Drop tube SP60/80

Double drop tubes 2P../80



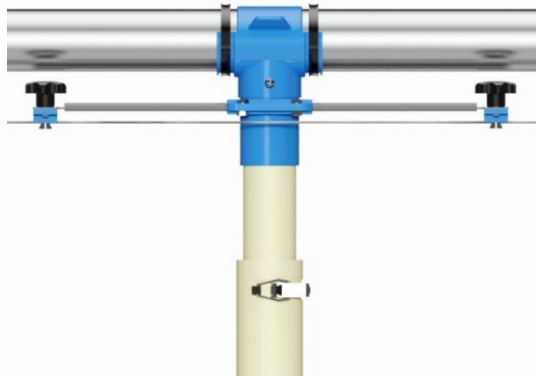
Code	DESCRIPTION
601261	Double drop tube 2P60/80

Discharge segment P60/280



Code	DESCRIPTION
601799	Discharge segment P60/280

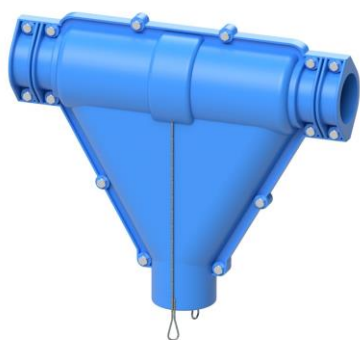
Multi-position drop tubes



Code	MULTI-POSITION DROP TUBES
601255	Drop tube 2P/60
601140	Drop tube 3P/60
601560	Drop tube 4P/60
604540	Drop tube 5P/60

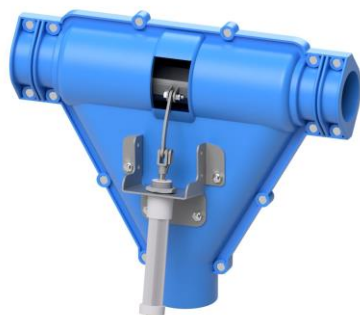
DISCHARGE VALVES

Discharge valves with manual shutter



Code	MANUAL DISCHARGE VALVES
601833	Manual discharge valve P60/280
001192	Roof for manual shutter
006127	Roof for manual shutter SST

Discharge valves with pneumatic shutter



Code	VERSIONS WITH CYLINDER
601928	Discharge valve PN60/280 - SST shutter
601747	Discharge valve PN60/280 - plastic shutter
VERSIONS WITHOUT CYLINDER	
601929	Discharge valve PN60/280 - SST shutter
601748	Discharge valve PN60/280 - plastic shutter

PIPELINES

Milled pipes PN280



Code	MILLED PIPES PN280
606237	Milled pipe drop tube PN280
606238	Milled pipe drop tube PN280 SST

Telescopic pipes



Code	MODELS Ø 50/63
001437	Telescopic pipe mt. 1 Ø50/63
001438	Telescopic pipe mt. 1,5 Ø50/63
001439	Telescopic pipe mt. 2 Ø50/63
MODELS Ø 80/90	
001248	Telescopic pipe mt. 1 Ø80/90
001262	Telescopic pipe mt. 1,5 Ø80/90
001263	Telescopic pipe mt. 2 Ø80/90

ACCESSORIES

Three-holes clamps for suspension



Code	GALVANIZED SHEET METAL VERSIONS
405340	Clamp Ø 40x3 - 3F
455340	Clamp Ø 45x3 - 3F
605340	Clamp Ø 60x3 - 3F
004263	Suspension chain n. 15 Ø 2,5 ZIFO
003378	Hook S n. 20

Wall brackets



Code	WALL BRACKETS
001390	Wall bracket 300
001391	Wall bracket 600
001392	Wall bracket 1000
001767	Wall bracket 1200
001716	Wall bracket 1500

TELESCOPIC STANDS

Telescopic stands for wall



Code	MODELS 1100 HIGH
451286	Telescopic pipe stand for wall Ø45 H1100
601286	Telescopic pipe stand for wall Ø60 H1100
MODELS 1600 HIGH	
451287	Telescopic pipe stand for wall Ø45 H1600
601287	Telescopic pipe stand for wall Ø60 H1600

Telescopic stands for cages



Code	TELESCOPIC STANDS FOR CAGES
451288	Telescopic pipe stand for cage Ø45 H1100
601288	Telescopic pipe stand for cage Ø60 H1100

OPENING CONTROLS

Lever opening control on wall



Code	MODEL LEVER ON WALL
001978	Manual opening control by lever on wall



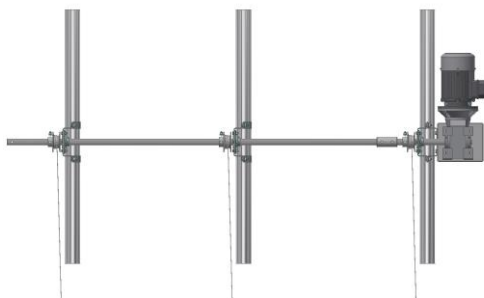
Code	MODEL LEVER ON PIPE
001979	Manual opening control by lever on pipe

Manual opening controls



Code	MANUAL OPENING CONTROLS
001512	Manual opening control dispensers AC1/K (line)
001731	Manual opening control dispensers AC1/2K (2 lines)

Electric opening controls



Code	1 LINE
451614	Electric opening control dispensers AC50/1
601614	Electric opening control dispensers AC50/1
2 LINES	
451274	Electric opening control dispensers AC50/2
601274	Electric opening control dispensers AC50/2
3 LINES	
451275	Electric opening control dispensers AC50/3
601275	Electric opening control dispensers AC50/3
4 LINES	
451276	Electric opening control dispensers AC50/4
601276	Electric opening control dispensers AC50/4

DEFLECTION PULLEYS

Deflection pulleys



Code	DEFLECTION PULLEYS
454180	Deflection pulley AC45
604180	Deflection pulley AC60

Vertical deflection pulleys



Code	DESCRIPTION
001258	Vertical deflection pulley Ø90

LEVEL INDICATORS

Level indicator with sensor



MODEL WITH SENSOR	
001156	Level sensor NO/NC
001157	Level sensor with timer NO/NC

STOP SWITCHES

Sensored stop switch on the pipe



MODEL WITH SENSOR MOUNTED ON THE PIPE	
601793	Sensored stop switch on Ø60 pipe
601794	Sensored stop switch with timer on Ø60 pipe

ELECTRIC PANELS

Electric panels



ELECTRIC PANELS	
001147	Electric panel 1M
001148	Electric panel 2M
001149	Electric panel 3M
001152	Electric panel 1M/i
001153	Electric panel 2M/i

CATTLE FARMING

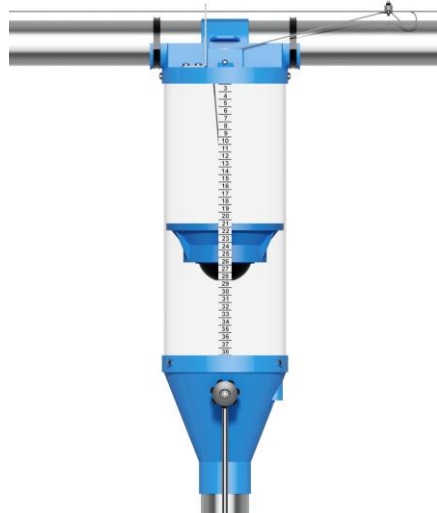
INDIVIDUAL VOLUMETRIC DISPENSERS

AC/PVC with central conveyor dispensers



Code	MODELS WITH TRANSPARENT ACRYLIC CONTAINER
601228	Dispenser AC2 liters 4,4 Ø60
601204	Dispenser AC3 liters 6 Ø60
MODELS WITH TRANSPARENT PVC CONTAINER	
601537	Dispenser PVC2 liters 4,4 Ø60
601538	Dispenser PVC3 liters 6 Ø60

AC/PVC/D with off-set conveyor dispensers



Code	MODELS WITH TRANSPARENT ACRYLIC CONTAINER
601434	Dispenser AC2D liters 4,4 Ø60
601435	Dispenser AC3D liters 6 Ø60
MODELS WITH TRANSPARENT PVC CONTAINER	
601571	Dispenser PVC2D liters 4,4 Ø60
601572	Dispenser PVC3D liters 6 Ø60

FODDER TROUGHS

Conveyor brackets for cows

Code	CONVEYOR BRACKETS FOR COWS
001859	Conveyor brackets for cows Ø63x1"1/4 (n. 2 per fodder-trough)
001853	Conveyor brackets for cows Ø70x1"1/4 (n. 2 per fodder-trough)

Fodder troughs

Code	FODDER TROUGHS
001854	Fodder-trough for cow with separator
001855	Fodder-trough for single cow

ACCESSORIES

CONVEYOR PIPES

Conveyor pipes



Code	GALVANIZED SHEET METAL VERSIONS
005100	Conveyor pipe Ø63x1000
001718	Conveyor pipe Ø63x1200
001479	Conveyor pipe Ø63x1500
005113	Conveyor pipe Ø70x1000
001719	Conveyor pipe Ø70x1200
001138	Conveyor pipe Ø70x1500

OPENING CONTROLS

Electric opening controls



Code	1 LINE
451614	Electric opening control dispensers AC50/1
601614	Electric opening control dispensers AC50/1
2 LINES	
451274	Electric opening control dispensers AC50/2
601274	Electric opening control dispensers AC50/2

DEFLECTION PULLEYS

Deflection pulleys



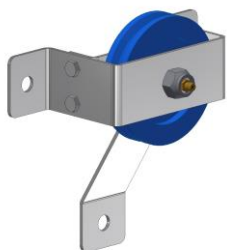
Code	DEFLECTION PULLEYS
454180	Deflection pulley AC45
604180	Deflection pulley AC60

Vertical deflection pulleys



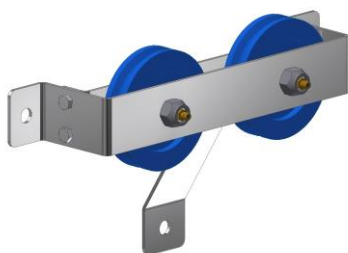
Code	DESCRIPTION
001258	Vertical deflection pulley Ø90

Horizontal deflection pulleys



Code	DESCRIPTION
001272	Horizontal deflection pulley Ø90

Double deflection pulleys



Code	DESCRIPTION
001273	Double deflection pulley Ø90

BRACKETS

Wall brackets



Code	WALL BRACKETS
001390	Wall bracket 300
001391	Wall bracket 600
001392	Wall bracket 1000

STOP SWITCHES

Stop switches



Code	DESCRIPTION
001240	Sensored stop switch AC

ELECTRIC PANELS

Electric panels



	DESCRIPTION
004732	Electric panel 1M/AC/AUT DG

POULTRY FARMING

AUTOMATIC FEEDING SYSTEMS FOR BROILERS

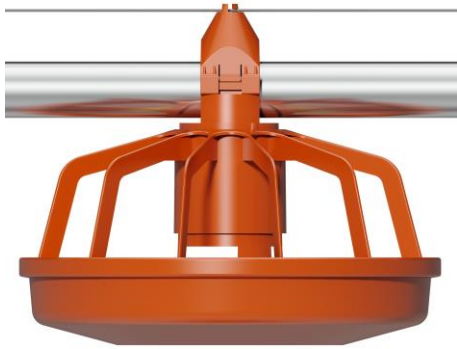
FEED PANS

Feed pan CA/A



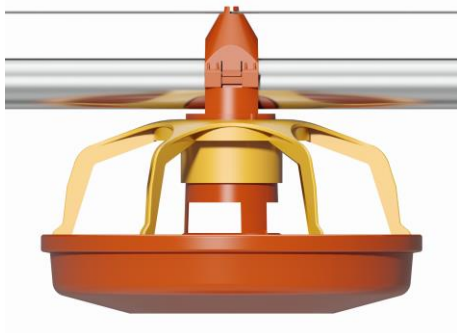
Code	DESCRIPTION
451623	Feed pan CA45A

Feed pan CA/C



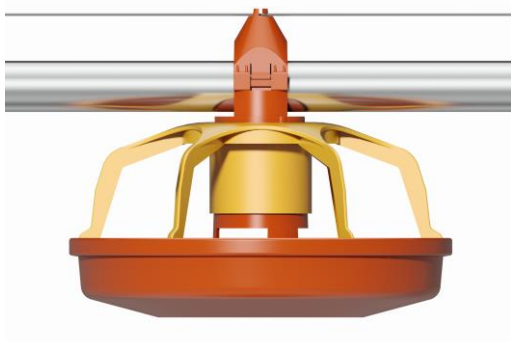
Code	DESCRIPTION
451668	Feed pan CA45C

Feed pan RI/A



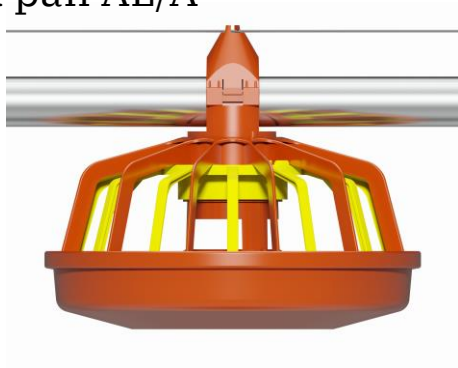
Code	DESCRIPTION
451750	Feed pan RI45A

Feed pan RI/C



Code	DESCRIPTION
451752	Feed pan RI45C

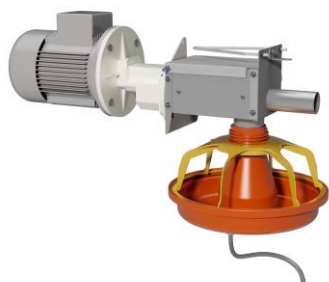
Feed pan AL/A



Code	DESCRIPTION
451980	Feed pan AL45A

SPIRAL CONVEYORS Ø 45

Drive units



Code	DESCRIPTION
451124	Drive unit AN451 HP1

Horizontal hoppers



Code	HORIZONTAL HOPPERS
451354	Horizontal hopper 45SO/1
451241	Horizontal hopper 45SO/1 SST



Code	HORIZONTAL HOPPERS
451832	Horizontal hopper 45SO/2UO

Feeding pipes with holes



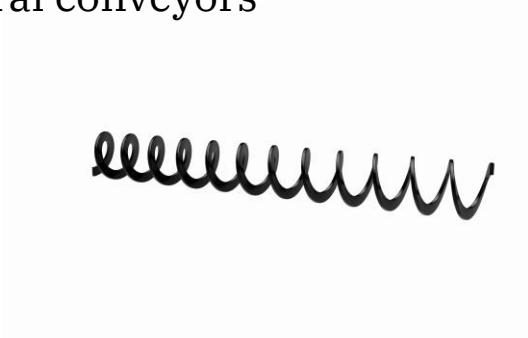
Code	GALVANIZED SHEET METAL VERSIONS
451106	Feeding pipe Ø45 with each hole 705mm.
451107	Feeding pipe Ø45 with each hole 750mm.
451108	Feeding pipe Ø45 with each hole 800mm.
451109	Feeding pipe Ø45 with each hole 857mm.
451110	Feeding pipe Ø45 with each hole 923mm.
451111	Feeding pipe Ø45 with each hole 1000mm.

Couplers for feeding pipes with screws



Code	GALVANIZED SHEET METAL VERSIONS
451375	Couplers for feeding pipe S45

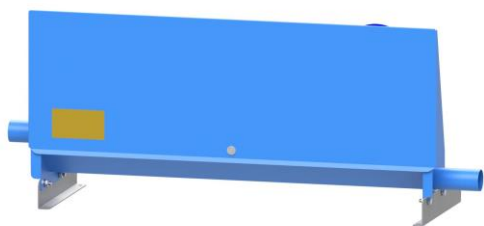
Spiral conveyors



Code	DESCRIPTION
451846	Spiral 45/36

CHAIN CONVEYOR Ø 45

Drive units model AN Ø45



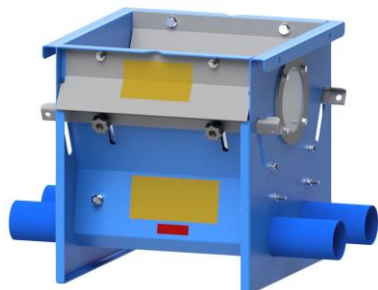
Code	GALVANIZED SHEET METAL VERSIONS
451124	Drive unit AN451 HP1
451125	Drive unit AN451 HP1,5
STAINLESS STEEL VERSION	
451544	Drive unit AN451 HP1 SST
451545	Drive unit AN451 HP1,5 SST

Cover for drive unit model AN Ø45



Code	DESCRIPTION
451993	Motor cover AN45 anti-stop

Hoppers model AN Ø45



Code	ONE-WAY HOPPERS
451128	One-way hopper AN45
451550	One-way hopper AN45 SST
TWO-WAYS HOPPERS	
451102	Two-ways hopper AN45
451551	Two-ways hopper AN45 SST

Containers



Code	GALVANIZED SHEET METAL VERSIONS
006867	Container 70 liters
001365	Container 100 liters
001409	Container 320 liters
001130	Container 320 liters with legs
STAINLESS STEEL VERSIONS	
002467	Container 70 liters SST
005595	Container 100 liters SST
001732	Container 320 liters SST
001756	Container 320 liters with legs SST

Feeding pipes with holes



Code	GALVANIZED SHEET METAL VERSIONS
451106	Feeding pipe Ø45 with each hole 705mm.
451107	Feeding pipe Ø45 with each hole 750mm.
451108	Feeding pipe Ø45 with each hole 800mm.
451109	Feeding pipe Ø45 with each hole 857mm.
451110	Feeding pipe Ø45 with each hole 923mm.
451111	Feeding pipe Ø45 with each hole 1000mm.

Feeding pipes



Code	GALVANIZED SHEET METAL VERSIONS
451161	Feeding pipe Ø 45

Control segments



Code	GALVANIZED SHEET METAL VERSIONS
451184	Control segment Ø 45

Couplers for feeding pipes with screws



Code	GALVANIZED SHEET METAL VERSIONS
451375	Coupler for feeding pipes S45

Articulated joints



Code	GALVANIZED SHEET METAL VERSIONS
451367	Articulated joint Ø 45

Chain conveyors



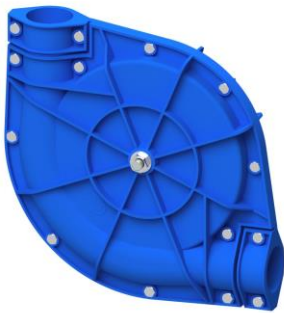
Code	DESCRIPTION
451164B4	Chain conveyor 45/50 strong

Joints for chain conveyors



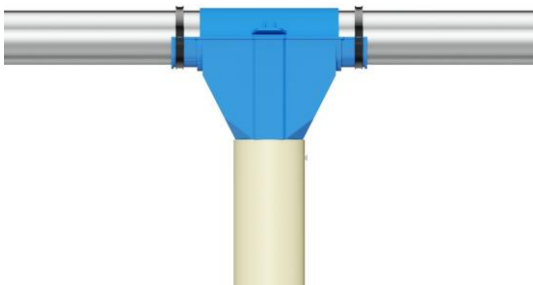
Code	DESCRIPTION
451293	Joint for chain conveyor Ø 45/50C

Corners with plastic housing



Code	90° PLASTIC CORNERS
451174	90° corner P45/50
451377	90° corner P45/50 wit screws SST

Drop tubes

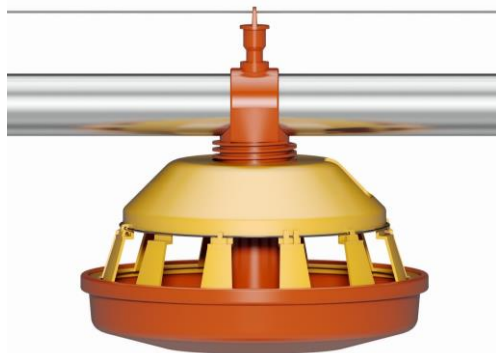


Code	DESCRIPTION
451247	Drop tube P45/80 with feeding pipe

AUTOMATIC FEEDING SYSTEMS FOR FOR BROILER BREEDERS

FEED PANS

Feed pans BB12



Code	MODEL BB12
451935	Feed pan BB12/45
601935	Feed pan BB12/60

Feed pans BB14



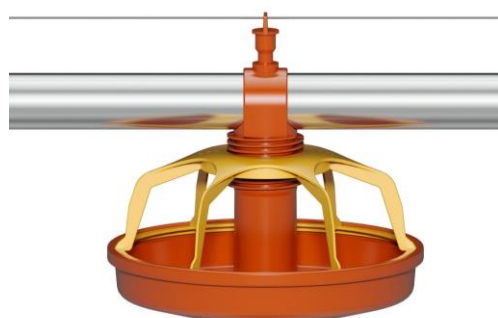
Code	MODEL BB14
451590	Feed pan BB14/45
601590	Feed pan BB14/60

Feed pans FS/P for pullets



Code	MODEL FS/P
451459	Feed pan FS45/9
601459	Feed pan FS60/P

Feed pans FE for cockerels



Code	MODEL FE
451753	Feed pan FE/45
601753	Feed pan FE/60

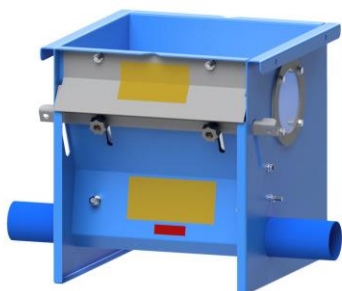
CONTROLLED FEEDING SYSTEMS FOR HENS AND PULLETS

Drive units



Code	GALVANIZED SHEET METAL VERSIONS
451556	Drive unit AN452/45 B3 HP1,5
601556	Drive unit AN602/45 B3 HP1,5
601557	Drive unit AN602/45 B3 HP2
STAINLESS STEEL VERSION	
451773	Drive unit AN452/45 B3 HP1,5 SST
601773	Drive unit AN602/45 B3 HP1,5 SST
601774	Drive unit AN602/45 B3 HP2 SST

Hoppers model AN



Code	ONE-WAY HOPPERS
451128	One-way hopper AN45
601128	One-way hopper AN60
451550	One-way hopper AN45 SST
601550	One-way hopper AN60 SST
TWO-WAYS HOPPERS	
451102	Two-ways hopper 2AN45
601102	Two-ways hopper 2AN60
451551	Two-ways hopper 2AN45 SST
601551	Two-ways hopper 2AN60 SST
THREE-WAYS HOPPERS	
601123	Three-ways hopper 3AN60
601253	Three-ways hopper 3AN60 SST

Containers



Code	GALVANIZED SHEET METAL VERSIONS
006867	Container 70 liters
001365	Container 100 liters
001409	Container 320 liters
001130	Container 320 liters w/legs
001419	Container 1700 liters
001421	Container 2600 liters
STAINLESS STEEL VERSION	
002467	Container 70 liters SST
005595	Container 100 liters SST
001732	Container 320 liters SST
001756	Container 320 liters w/legs SST
001420	Container 1700 liters SST
002473	Container 2600 liters SST

Feeding pipes



Code	GALVANIZED SHEET METAL VERSIONS
451161	Feeding pipe Ø 45
601161	Feeding pipe Ø 60

Feeding pipes with holes



Code	GALVANIZED SHEET METAL VERSIONS
451646	Breeders pipe Ø45 with each hole 705mm.
451647	Breeders pipe Ø45 with each hole 750mm.
451648	Breeders pipe Ø45 with each hole 800mm.
451649	Breeders pipe Ø45 with each hole 857mm.
451650	Breeders pipe Ø45 with each hole 923mm.
451651	Breeders pipe Ø45 with each hole 1000mm.
451652	Breeders pipe Ø45 with each hole 1200mm.
451653	Breeders pipe Ø45 with each hole 1500mm.
601646	Breeders pipe Ø60 with each hole 705mm.
601647	Breeders pipe Ø60 with each hole 750mm.
601648	Breeders pipe Ø60 with each hole 800mm.
601649	Breeders pipe Ø60 with each hole 857mm.
601650	Breeders pipe Ø60 with each hole 923mm.
601651	Breeders pipe Ø60 with each hole 1000mm.
601652	Breeders pipe Ø60 with each hole 1200mm.
601653	Breeders pipe Ø60 with each hole 1500mm.

Coupler for feeding pipes with screws



Code	GALVANIZED SHEET METAL VERSIONS
451375	Coupler for feeding pipes S45
601375	Coupler for feeding pipes S60

Articulated joints



Code	GALVANIZED SHEET METAL VERSIONS
451367	Articulated joint Ø 45
601367	Articulated joint Ø 60

Control segments



Code	GALVANIZED SHEET METAL VERSIONS
451184	Control segment Ø 45
601184	Control segment Ø 60

Chain conveyors



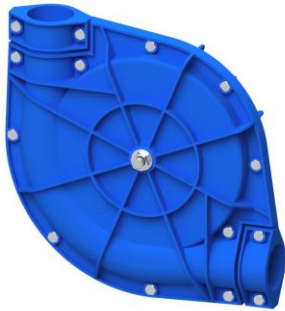
Code	CHAIN CONVEYORS
451164B4	Chain conveyor 45/50 strong
601164B4	Chain conveyor 60/70 strong

Joints for chain conveyors



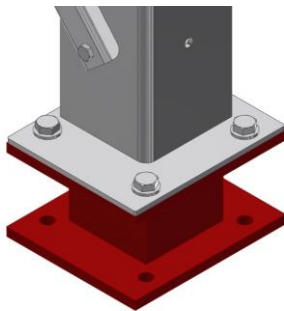
Code	JOINTS FOR CHAIN CONVEYORS
451293	Joint for chain conveyor Ø 45/50C
601293	Joint for chain conveyor Ø 60/70

Corners with plastic housing



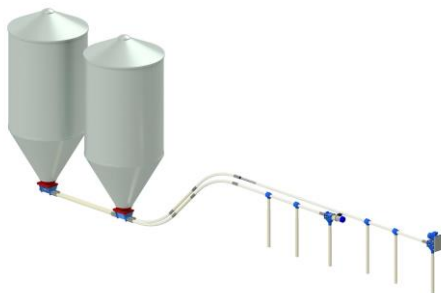
Code	90° PLASTIC CORNERS
451174	90° corner P45/50
601174	90° corner P60/70
90° PLASTIC CORNERS WITH SST SCREWS	
451377	90° corner P45/50 with SST screws
601377	90° corner P60/70 with SST screws

Weight indicator



Code	WEIGHT INDICATOR
002000	Weight indicator with 3 load cells
002001	Weight indicator with 4 load cells

Spiral conveyor



Code	SPIRAL CONVEYOR
901397	Spiral Ø90x6000
901399	Spiral Ø90x9000
901401	Spiral Ø90x18000

CONTROLLED FEEDING SYSTEMS FOR MALES

SPIRAL CONVEYORS Ø 45

Drive units



Code	DESCRIPTION
451237	Drive unit AN451 HP1

Horizontal hoppers



Code	HORIZONTAL HOPPERS
451354	Horizontal hopper 45SO/1
451241	Horizontal hopper 45SO/1 SST



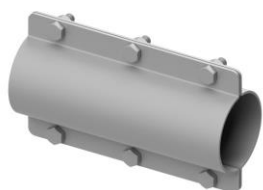
Code	HORIZONTAL HOPPERS
451832	Horizontal hopper 45SO/2UO

Feeding pipes with holes



Code	GALVANIZED SHEET METAL VERSIONS
451646	Breeders pipe Ø45 with each hole 705mm.
451647	Breeders pipe Ø45 with each hole 750mm.
451648	Breeders pipe Ø45 with each hole 800mm.
451649	Breeders pipe Ø45 with each hole 857mm.
451650	Breeders pipe Ø45 with each hole 923mm.
451651	Breeders pipe Ø45 with each hole 1000mm.
451652	Breeders pipe Ø45 with each hole 1200mm.
451653	Breeders pipe Ø45 with each hole 1500mm.

Couplers for feeding pipes with screws



Code	GALVANIZED SHEET METAL VERSIONS
451375	Couplers for feeding pipe S45

Spiral conveyors

Code	DESCRIPTION
451846	Spiral 45/36



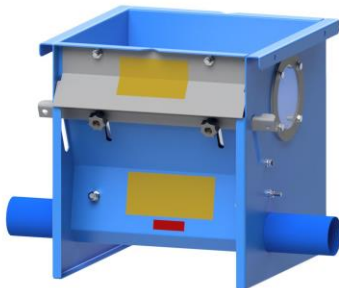
CHAIN CONVEYORS Ø 45 / 60

Drive units



Code	GALVANIZED SHEET METAL VERSIONS
451556	Drive unit AN452/45 B3 HP1,5
601556	Drive unit AN602/45 B3 HP1,5
601557	Drive unit AN602/45 B3 HP2
STAINLESS STEEL VERSION	
451773	Drive unit AN452/45 B3 HP1,5 SST
601773	Drive unit AN602/45 B3 HP1,5 SST
601774	Drive unit AN602/45 B3 HP2 SST

Hoppers model AN



Code	ONE-WAY HOPPERS
451128	One-way hopper AN45
601128	One-way hopper AN60
STAINLESS STEEL VERSION	
451550	One-way hopper AN45 SST
601550	One-way hopper AN60 SST
TWO-WAYS HOPPERS	
451102	Two-ways hopper 2AN45
601102	Two-ways hopper 2AN60
STAINLESS STEEL VERSION	
451551	Two-ways hopper 2AN45 SST
601551	Two-ways hopper 2AN60 SST
THREE-WAYS HOPPERS	
601123	Three-ways hopper 3AN60
STAINLESS STEEL VERSION	
601253	Three-ways hopper 3AN60 SST

Containers



Code	GALVANIZED SHEET METAL VERSIONS
006867	Container 70 liters
001365	Container 100 liters
001409	Container 320 liters
001130	Container 320 liters w/legs
001419	Container 1700 liters
001421	Container 2600 liters
STAINLESS STEEL VERSION	
002467	Container 70 liters SST
005595	Container 100 liters SST
001732	Container 320 liters SST
001756	Container 320 liters w/legs SST
001420	Container 1700 liters SST
002473	Container 2600 liters SST

Feeding pipes



Code	GALVANIZED SHEET METAL VERSIONS
451161	Feeding pipe Ø 45
601161	Feeding pipe Ø 60

Feeding pipes with holes



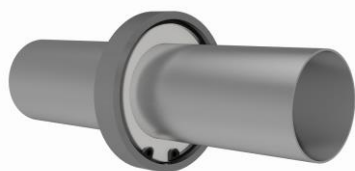
Code	GALVANIZED SHEET METAL VERSIONS
451646	Breeders pipe Ø45 with each hole 705mm.
451647	Breeders pipe Ø45 with each hole 750mm.
451648	Breeders pipe Ø45 with each hole 800mm.
451649	Breeders pipe Ø45 with each hole 857mm.
451650	Breeders pipe Ø45 with each hole 923mm.
451651	Breeders pipe Ø45 with each hole 1000mm.
451652	Breeders pipe Ø45 with each hole 1200mm.
451653	Breeders pipe Ø45 with each hole 1500mm.
601646	Breeders pipe Ø60 with each hole 705mm.
601647	Breeders pipe Ø60 with each hole 750mm.
601648	Breeders pipe Ø60 with each hole 800mm.
601649	Breeders pipe Ø60 with each hole 857mm.
601650	Breeders pipe Ø60 with each hole 923mm.
601651	Breeders pipe Ø60 with each hole 1000mm.
601652	Breeders pipe Ø60 with each hole 1200mm.
601653	Breeders pipe Ø60 with each hole 1500mm.

Coupler for feeding pipes with screws



Code	GALVANIZED SHEET METAL VERSIONS
451375	Coupler for feeding pipes S45
601375	Coupler for feeding pipes S60

Articulated joints



Code	GALVANIZED SHEET METAL VERSIONS
451367	Articulated joint Ø 45
601367	Articulated joint Ø 60

Control segments



Code	GALVANIZED SHEET METAL VERSIONS
451184	Control segment Ø 45
601184	Control segment Ø 60

Chain conveyors



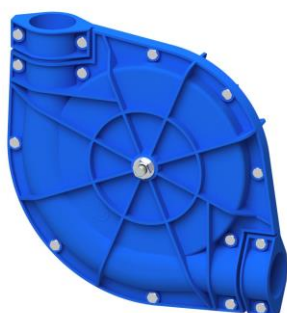
Code	CHAIN CONVEYORS
451164B4	Chain conveyor 45/50 strong
601164B4	Chain conveyor 60/70 strong

Joints for chain conveyors



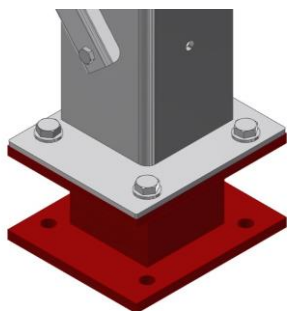
Code	JOINTS FOR CHAIN CONVEYORS
451293	Joint for chain conveyor Ø 45/50C
601293	Joint for chain conveyor Ø 60/70

Corners with plastic housing



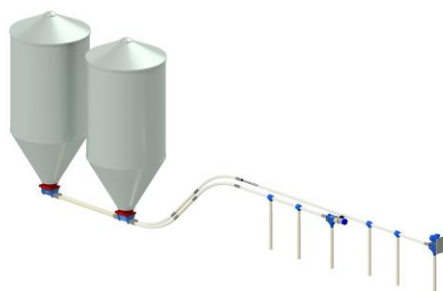
Code	90° PLASTIC CORNERS
451174	90° corner P45/50
601174	90° corner P60/70
90° PLASTIC CORNERS WITH SST SCREWS	
451377	90° corner P45/50 with SST screws
601377	90° corner P60/70 with SST screws

Weight indicator



Code	WEIGHT INDICATOR
002000	Weight indicator with 3 load cells
002001	Weight indicator with 4 load cells

Spiral conveyor



Code	SPIRAL CONVEYOR
901397	Spiral Ø90x6000
901399	Spiral Ø90x9000
901401	Spiral Ø90x18000

FEEDING PLANTS FOR TURKEYS

OVERHEAD FEEDING PLANTS

Feed pan ER



Code	DESCRIPTION
001340	Feed pan ER

Feed pan 18/40



Code	DESCRIPTION
CO0015-10	Feed pan 18/40

Accessories



Code	DISCHARGES
451337	Drop tube P45/40x750
601331	Drop tube P60/40x750
001343	PVC pipe Ø50 SP1,2 mt. 3
004640	Suspension chain n.13
003377	S Hook N.18

LOW LEVEL FEEDING PLANTS

Feed pan SP50P



Code	DESCRIPTION
451259	Feed pan SP50P

Plate for feed pan

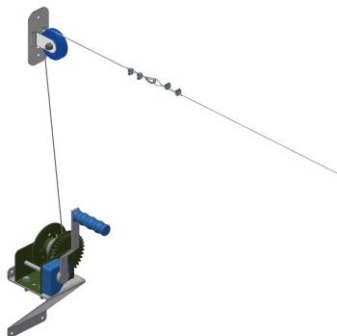


Code	DESCRIPTION
001259	Plate for feed pan SP50P - (first days)

ACCESSORIES FOR POULTRY SYSTEMS

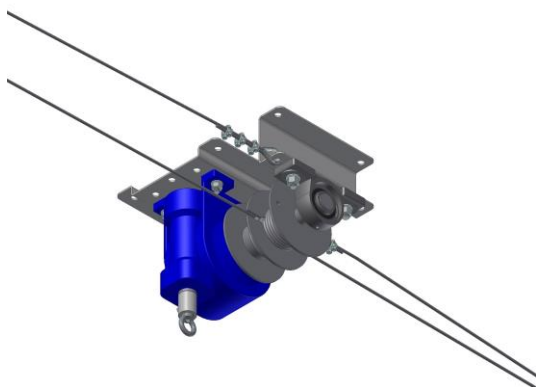
POWER LIFTS

Mechanical power lift for wall



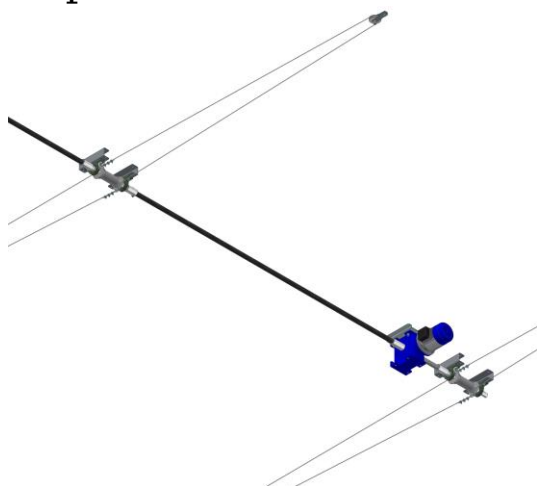
Code	POWER LIFTS FOR WALL
001103	Mechanical power lift for wall K250
001104	Mechanical power lift for wall K250 PR
001851	Mechanical power lift for wall K1500 ST
001852	Mechanical power lift for wall K1500 CT

Central mechanical power lifts



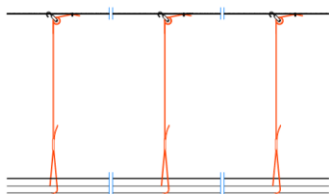
Code	POWER LIFTS
001784	Mechanical power lift K1500 ST
001785	Mechanical power lift K1500 CT
001542	Mechanical power lift HW4000 ST
001383	Mechanical power lift HW5000 CT
001579	Mechanical power lift HW6000 CTS
005644	Handle for mechanical power lift HW

Electric power lifts



Code	ELECTRIC POWER LIFTS
001462	Electric power lift CB70/2
001463	Electric power lift CB70/3
001464	Electric power lift CB70/4
001468	Electric power lift CB80/2
001469	Electric power lift CB85/3
001470	Electric power lift CB85/4

Lifting line



Code	ANTI-STOP LISFTING
001883	Lifting line each 2mt.
001379	Lifting line each 2,5mt.
001380	Lifting line each 3mt.
001884	Lifting line breeders each 2mt.
001381	Lifting line breeders each 2,5mt.
001382	Lifting line breeders each 3mt.

Suspension hook for feeding pipe



Code	DESCRIPTION
006855	Suspension hook for feeding pipe Ø45

STOP SWITCHES

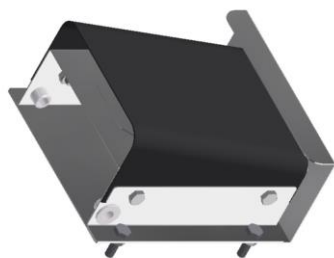
Intermediate stop switch



Code	STOP SWITCH
001160	Intermediate stop switch SP
001720	Intermediate stop switch BB14

LEVEL INDICATORS

Level indicator with paddle



Code	MODEL FALCON
001155	Level indicator Falcon

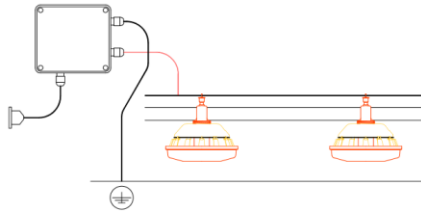
Level indicator with sensor



	MODEL WITH SENSOR
001156	Level sensor NO/NC
001157	Level sensor with timer NO/NC

ELECTRIC COMPONENTS

Electric equipment anti-stop



Code	DESCRIPTION
001385	Electric equipment anti-stop

Electric panels



ELECTRIC PANELS	
001147	Electric panel 1M
001148	Electric panel 2M
001149	Electric panel 3M
001152	Electric panel 1M/i
001153	Electric panel 2M/i